



1 Switch on the light at light head.



2 Set the required luminosity with 5 dimming levels.



3 Endo mode available.

Amico introduces the latest advancement in Minor Surgery and Diagnostic Lighting technology with the Mira90 LED medical light. Precisely positioned LED's allow for superior shadow control, depth of field and light intensity. The Mira90 LED offers a CRI of 95 and a color temperature of 4500 K which produce excellent color accuracy for minor surgeries and examinations.

The Mira90 LED has an easy to use control pad for controlling light functions, including Five Dimming Levels and an Endo mode. The removable handle is ergonomically positioned off to the side to maximize the light field and can be rotated to electronically focus the beam to a concentrated 6.5" (16.51 cm) for surgical procedures or 12" (30.5 cm) for broader examinations.

The Mira90 LED shall provide you with unsurpassed performance and value backed with our 5 Year industry leading warranty.

## Features:

**Light Head Diameter:** 18" (45.7 cm)

**Light Intensity (Central Luminance):**  
90,000 Lux (8,361 fc) at 1 m (39.37")

**Brightness Control:** 50% - 100%

**Light Field Diameter:** 6.5" - 12" (16.5 cm - 30.5 cm)

**Depth of Illumination:** 94.5" (240 cm)

**Color Rendering Index (Ra):** 95

**Weight of Light Head:** 11 lbs (5 kg)

**Color Temperature (standard):** 4500 K

**Shadow Dilution:**

- Single Mask: 0.7%
- Double Mask: 55.5%
- Cavity: 100%
- Single Mask with cavity: 0.3%
- Double Mask with cavity: 55.3%

**# of LED's (main):** 36

**LED service life:** 50,000 hours

**Total radiant power at max intensity:**  
317 W/m<sup>2</sup>

**Electrical:** 100-240 VAC, 50/60 Hz, 0.65 amps

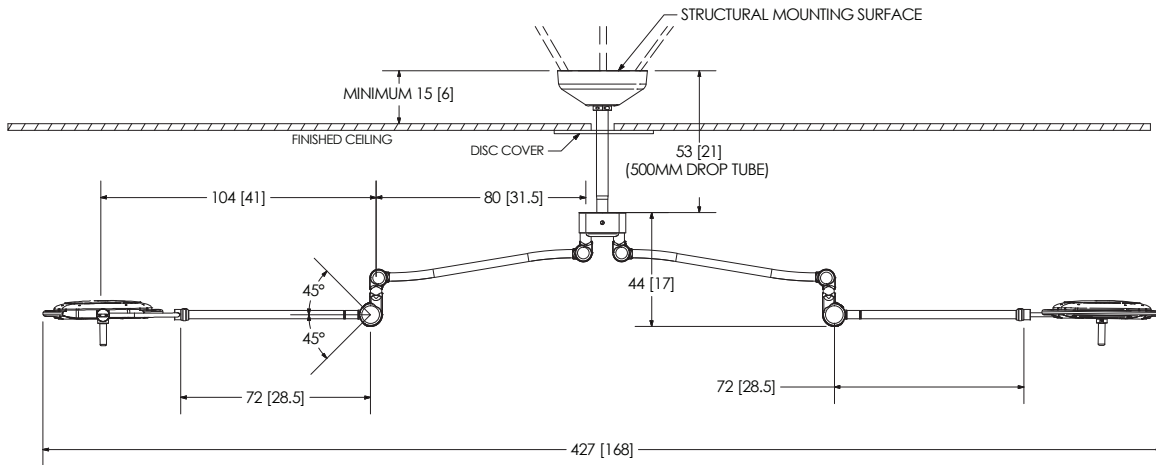
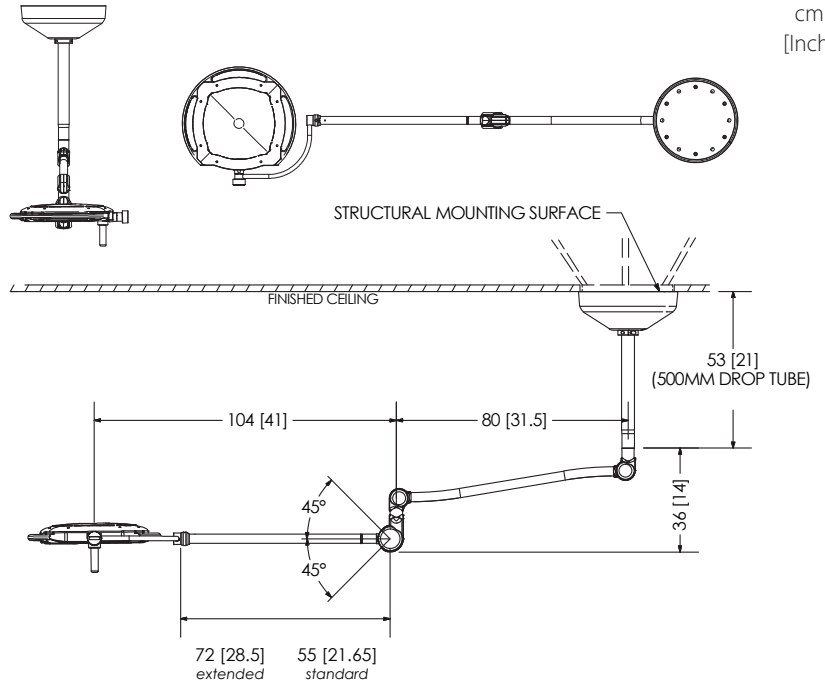
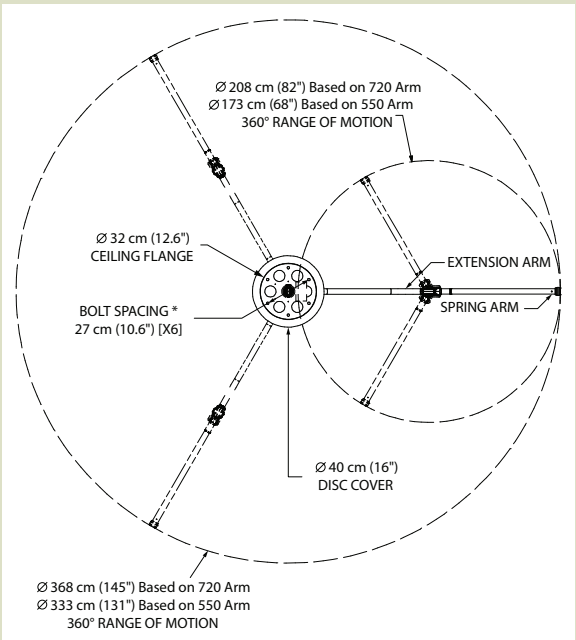
**Power Supply:** direct power supply

**Mounting Options:** ceiling mounted

**Certificates:** cETLus conform to UL60601-1; UL60601-2-41; UL certified IP54 per IEC 60598

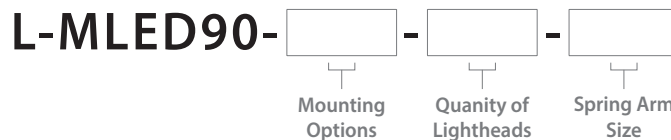
# Dimensions

cm  
[Inch]



Series	Mounting Options	Quantity of Lightheads	Spring Arm Size
L-MLED90	CM Ceiling Mount	SC Single Ceiling Mount	ST Standard
		DC Dual Ceiling Mount	EX Extended

## Ordering Guide



**For Example: L-MLED90-CM-D-ST**  
 Mira 90, Ceiling Mount, Dual Mount, Standard Arm

**NOTE:** North American: 120 V; International: 230 V

Amico Lights Corporation 85 Fulton Way, Richmond Hill, ON L4B 2N4, Canada  
 Toll Free Tel: 1.877.462.6426 | Toll Free Fax: 1.866.440.4986 | Tel: 905.764.0800 | Fax: 905.764.0862

www.amico.com

