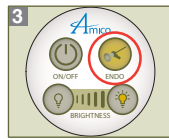


Switch on the light at light head.



Set the required luminosity with 5 dimming levels.



Endo mode available.

Amico introduces the latest advancement in Minor Surgery and Diagnostic Lighting technology with the Mira65 LED medical light. Precisely positioned LED's allow for superior shadow control, depth of field and light intensity. The Mira65 LED offers a CRI of 95 and a color temperature of 4500 K which produce excellent color accuracy for minor surgeries and examinations.

The Mira65 LED has an easy to use control pad for controlling light functions, including Five Dimming Levels and an Endo mode. The removable handle is ergonomically positioned off to the side to maximize the light field and can be rotated to electronically focus the beam to a concentrated 6.5" (16.51 cm) for surgical procedures or 12" (30.5 cm) for broader examinations.

The Mira65 LED shall provide you with unsurpassed performance and value backed with our 5 Year industry leading warranty.

Features:

Light Head Diameter: 18" (45.7 cm)

Light Intensity (Central Luminance):
65,000 Lux (6,038 fc) at 1 m (39.37")

Brightness Control: 50%-100%

Light Field Diameter: 6.5" - 12" (16.5 cm - 30.5 cm)

Depth of Illumination: 94.5" (240 cm)

Color Rendering Index (Ra): 95

Weight of Light Head: 11 lbs (5 kg)

Color Temperature (standard): 4500 K

Shadow Dilution:

- Single Mask: 0.7%
- Double Mask: 55.5%
- Cavity: 100%
- Single Mask with cavity: 0.3%
- Double Mask with cavity: 55.3%

of LED's (main): 36

LED service life: 50,000 hours

Total radiant power at max intensity:
231.4 W/m²

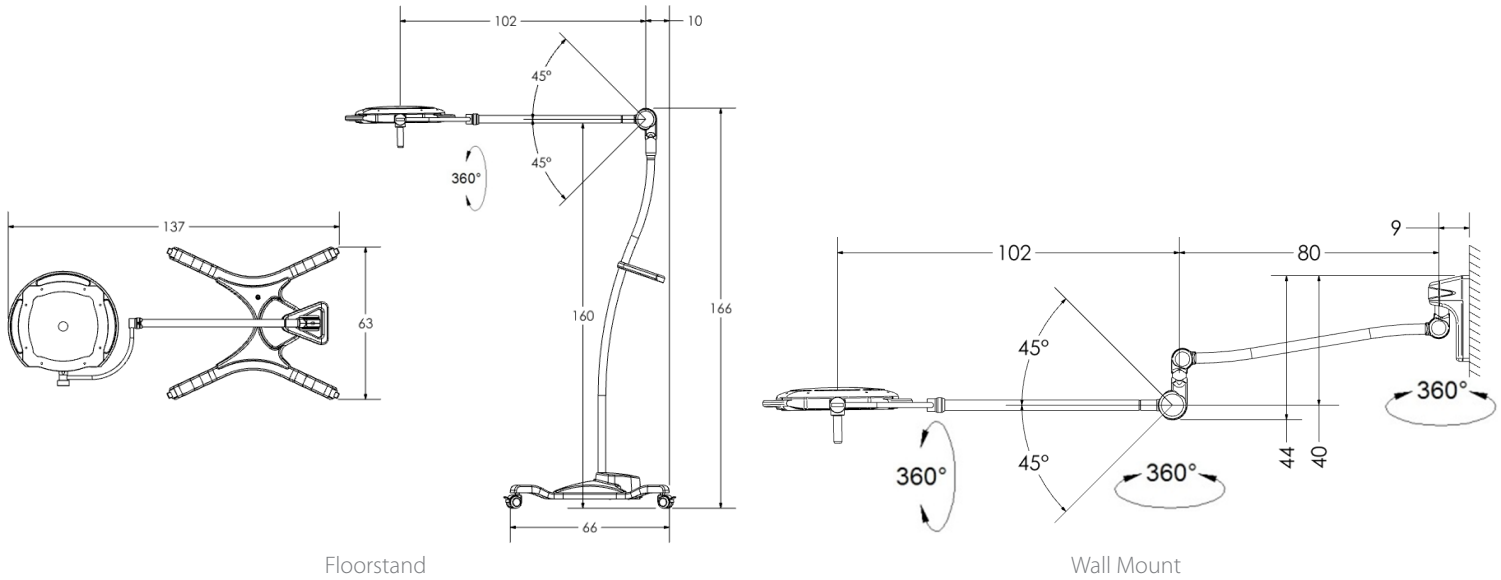
Electrical: 100-240 VAC, 50/60 Hz, 0.55 amps

Power Supply: direct power supply

Mounting Options: wall mounted,
floorstand

Certificates: cETLus conform to UL60601-1;
UL60601-2-41; UL certified IP54 per IEC 60598

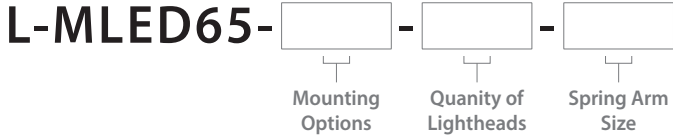
Dimensions



Series	Mounting Options	Quantity of Lightheads	Spring Arm Size
L-MLED65	WM Wall Mount	XX Single Lighthouse Only	ST Standard
	FS Floorstand		EX Extended*

NOTE: Extended Arm not available for Floorstand

Ordering Guide



For Example: L-MLED65-FS-XX-ST
 Mira 65, Floorstand, Single Lighthouse, Standard Arm

NOTE: North American: 120 V; International: 230 V

